

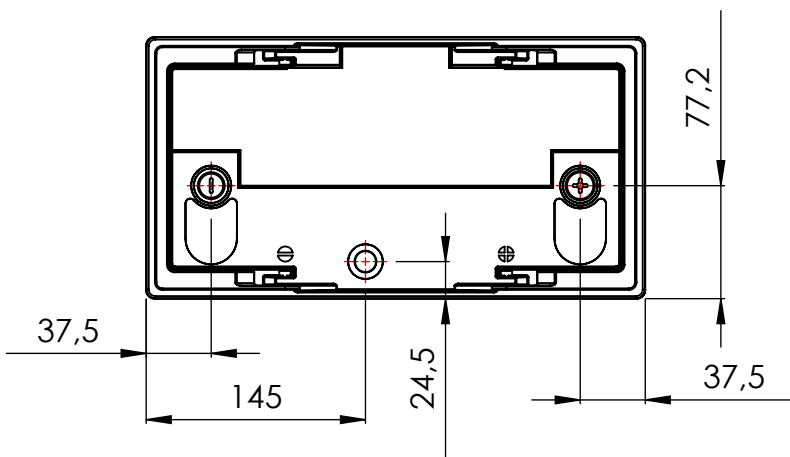
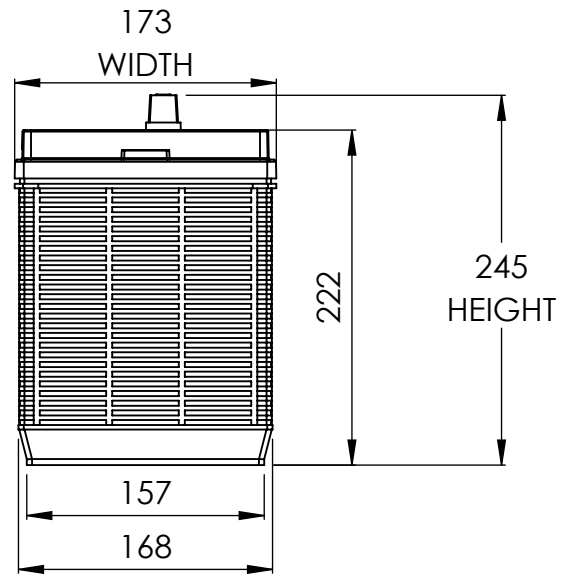
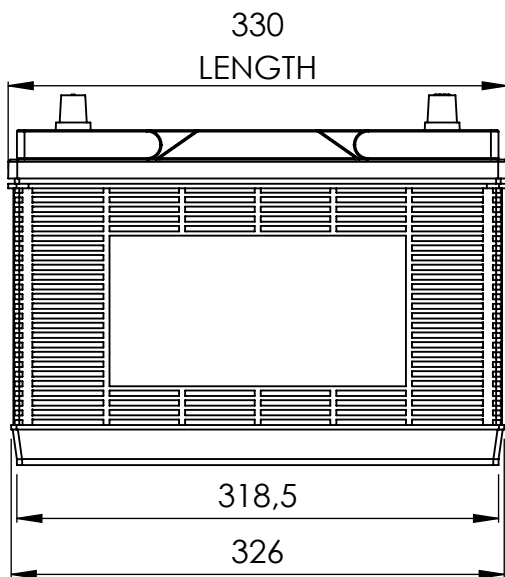


MODEL: 1151PS
TECHNOLOGY: Lead Acid Battery
DIMENSIONS: mm
COLOR: Black
WET WEIGHT: 27,50 kg
MATERIAL: Polypropylene (PP)
DIMENSIONS (LxWxH) mm: 330 x 173 x 245



SPECIFICATIONS

NOMINAL VOLTAGE	PERFORMANCE			BCI GROUP
	C20 (Ah) CAPACITY (Ah)	CCA (A) SAE -18°C COLD CRANKING (A) SAE -18°C	RC (MINUTES) RESERVE CAPACITY	
12V	105	750	180	31A



TERMINAL	
TERMINAL TYPE	
1	1
<p>18 ±1 Ø 19,5 ±0,3</p> <p>POSITIVE TERMINAL CONICITY 1:9</p>	<p>18 ±1 Ø 17,9 ±0,3</p> <p>NEGATIVE TERMINAL CONICITY 1:9</p>
RECOMMENDED TORQUE: 8 - 10 N.m	



PROBE CORPORATION SA
 31D Lake Road, Longmeadow Business Estate, Edenvale 1616, Johannesburg
 Tel: +27 (0) 11 453 0924 | E-mail: probe@probegroup.co.za | Website: www.probegroup.co.za