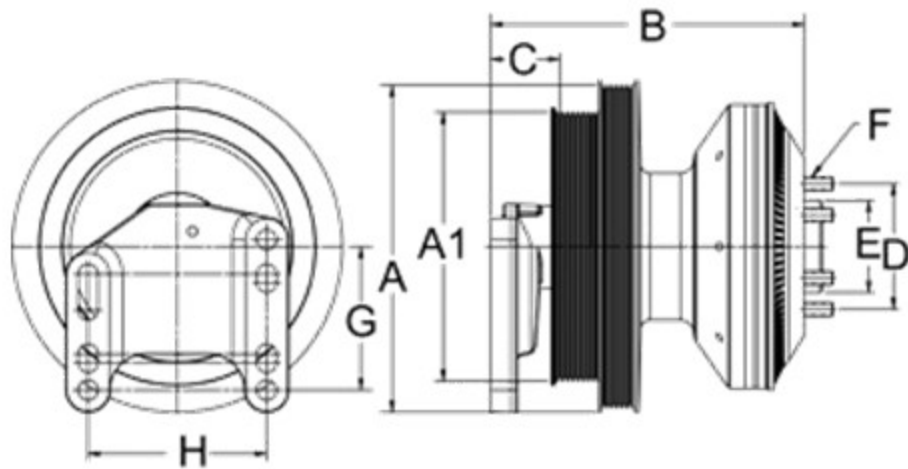




79A5074

DM Advantage On/Off

Freightliner Argosy CAT C15



Repair Major Kit : 795568 Minor Kit : 994346 Lining Kit : 994348



HORTON Dimensions

DISPLAY	VALUE NAME	DIMENSION
A	Back Pulley Diameter	7.54
A1	Front Pulley Diameter	9.04
B	Overall Length	9.03
CL3	Belt Configuration	8K/6K
C	Belt Groove Location	1.94
D	Bolt Circle	3.50
E	Fan Pilot Diameter	2.56
F	Fan Blade Stud Length	0.82
F1	Stud Thread Size	.375-24 UNF
G	Vertical Mounting Distance	4.19
H	Horizontal Mounting Distance	5.00
J	Center Of Jb To Top Right Mounting Hole	0.19
TMfg	Truck Manufacturer	FREIGHTLINER