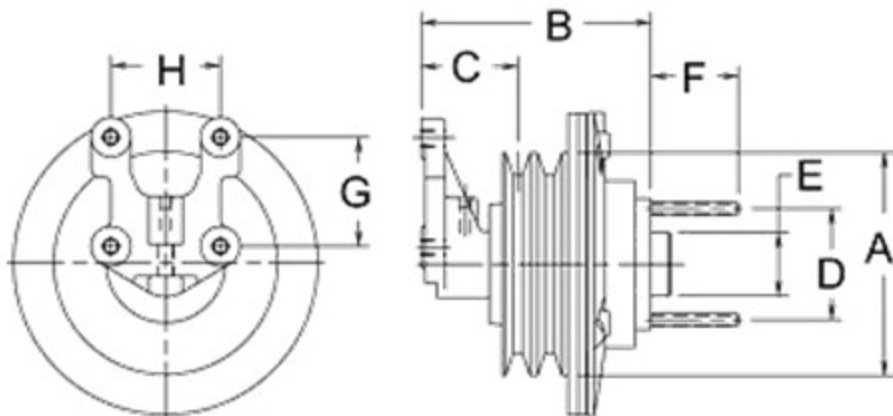




793016

HTS Advantage On/Off
Freightliner FLB N14



Repair Major Kit : 994305 Minor Kit : 994370 Lining Kit : 994319



HORTON Dimensions

DISPLAY	VALUE NAME	DIMENSION
A	Back Pulley Diameter	5.75
A1	Front Pulley Diameter	-
B	Overall Length	8.38
BC	Belt Configuration	2V
C	Belt Groove Location	3.06
D	Bolt Circle	3.50
E	Fan Pilot Diameter	1.99
F	Fan Blade Stud Length	1.50 (.375-16)
G	Vertical Mounting Distance	3.44
H	Horizontal Mounting Distance	3.44
TMfg	Truck Manufacturer	FREIGHTLINER, KENWORTH

Replaces : 991185, 991173, 791016